

MODELS 8694, 8694-3, 8694-4, 8694-5, 8694-6, 8694-7, 8694-8 ROOM PRESSURE ALARM/CHANGEOVER SWITCH INSTALLING WITH THE MODEL 8630 PRESSURA™ ROOM PRESSURE MONITOR

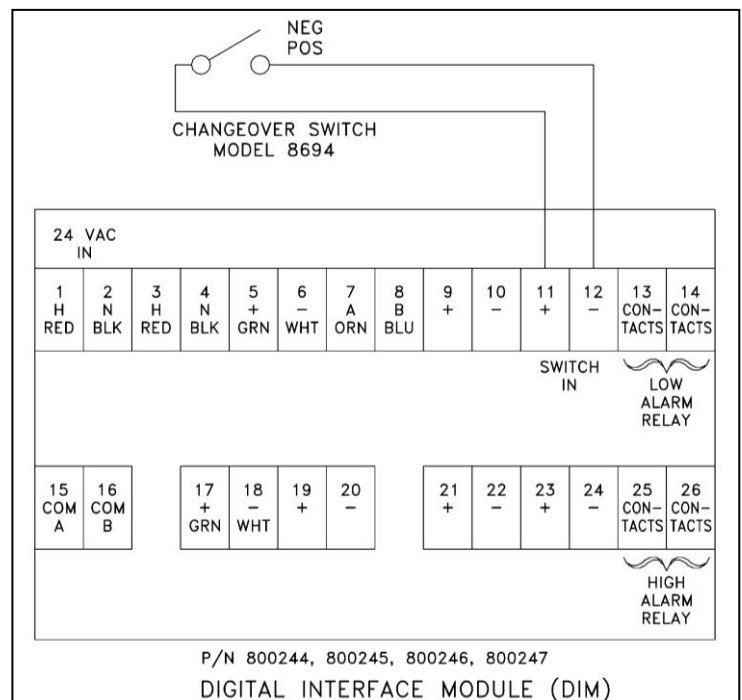
INSTALLATION INSTRUCTIONS

The purpose of these instructions is to guide the installer through the installation of the optional TSI Model 8694 Series of Room Pressure Alarm/Changeover Switch to the Model 8630 PRESSURA™ Room Pressure Monitor. The complete Model 8630 PRESSURA™ Room Pressure Monitor installation is covered in the *Model 8630 Room Pressure Installation Instructions*.

The Model 8694 and 8694-3 alarm/changeover switch must be wired per Figure 1 (below). The Models 8694-4, 8694-5, 8694-6, 8694-7 or 8694-8 must be wired per Figure 2. Wire should be 24 AWG or larger (not supplied). Any modification to the wiring may damage the alarm and room pressure device.

The keyswitch models have the following electrical characteristics.

Key Position	Output (resistance)
Negative	Open - infinite
Positive	Closed - 0
Neutral	273 Kohm



**Figure 1: Wiring Diagram -
Models 8694, 8694-3**



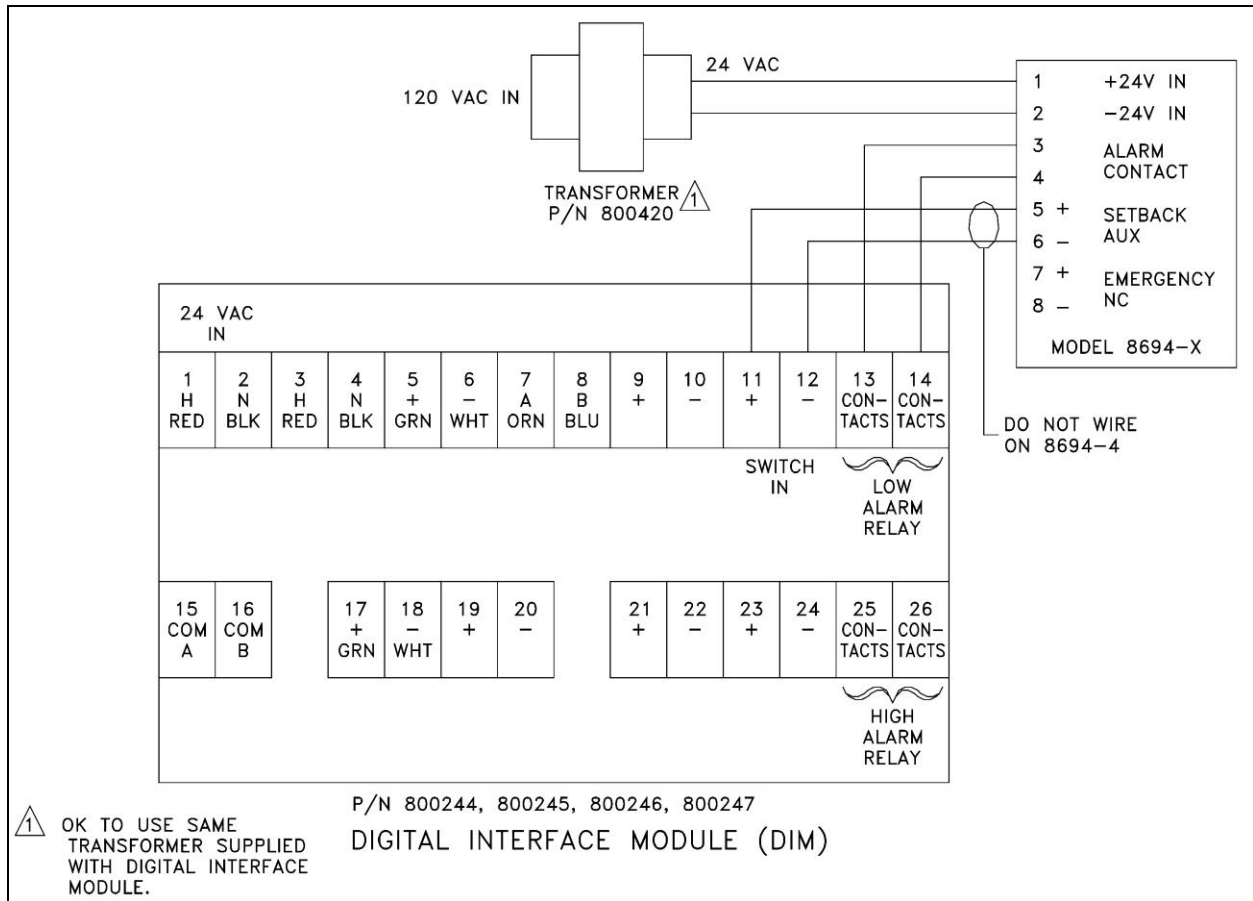


Figure 2: Wiring Diagram - Models 8694-4, 8694-5, 8694-6, 8694-7, 8694-8

The alarm light models have a green light lit when room pressure alarm contact is open. When the alarm contact closes (alarm condition), the green light is off and the red light is lit.

This concludes installation of the alarm/changeover switch. If you need assistance installing the Digital Interface Module, see the *Model 8630 Room Pressure Installation Instructions*. If you need further assistance, contact your local representative or TSI at 1-800-874-2811.



UNDERSTANDING, ACCELERATED

TSI Incorporated - Visit our website www.tsi.com for more information.

USA Tel: +1 800 874 2811
UK Tel: +44 149 4 459200
France Tel: +33 491 11 87 64
Germany Tel: +49 241 523030

India Tel: +91 80 67877200
China Tel: +86 10 8251 6588
Singapore Tel: +65 6595 6388



Distributed by:
Kenelec Scientific Pty Ltd
1300 73 22 33
sales@kenelec.com.au
www.kenelec.com.au